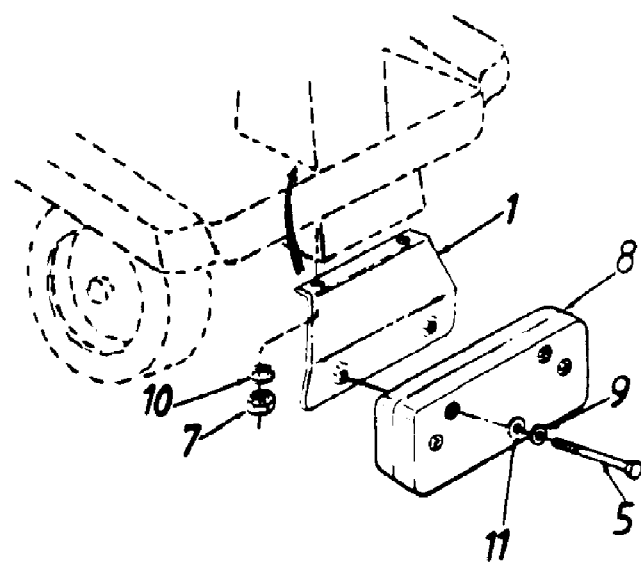
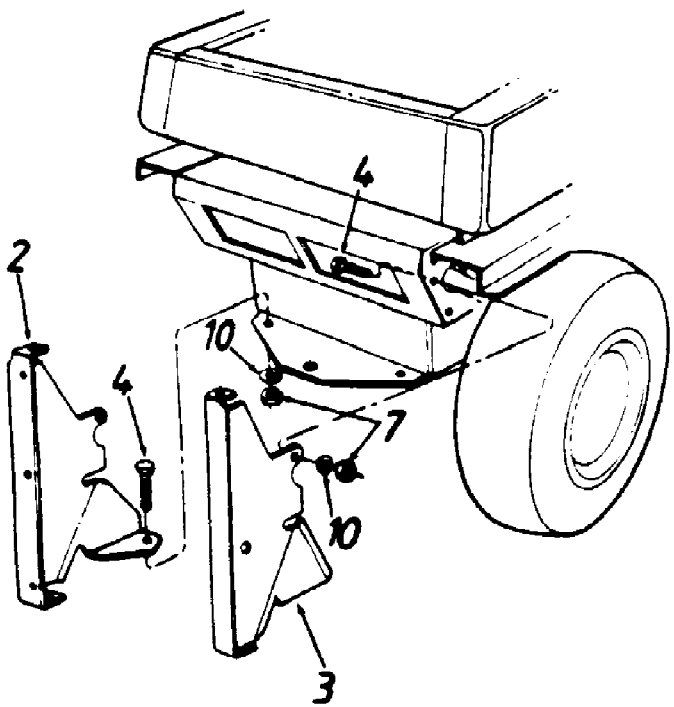


190-435-190 Mounting Kit (1991)  
Twin Bag Grass Collector Mounting Kit



190-435-190 Mounting Kit (1991)  
Twin Bag Grass Collector Mounting Kit

Page 2 of 2

Ref #	Part Number	Qty	S/P/F	Description
1	15539	1		Counterweight Support Brkt. 1
2	15970A	1	/P	Catcher support Brkt.-R.H. 1
3	15971A	1		Catcher support Brkt.-L.H. 1
4	710-0376	1	/P	Hex Bolt 5/16-18 x 1.0" Lg. 4
5	710-0693	1	/P	Hex Bolt 3/8-16 x 4.5" Lg. 2
7	712-0267	1	S	Hex Nut 5/1-18 Thd.- 0 6
8	723-0367	1		Front Counterweight
9	738-0105	1		Bell-Wash. 3/8 I.D. 2
10	736-0119	1	S	L-Wash. 5/16 I.D.- 0 6
11	736-0280	1		FI-Wash. .390" I.D. x 1.12 O.D. 2